

## Marine Filtration Technology Product Catalogue



## Ordering Details



WMS	Wavestream Micro System
WS-CM	Wavestream Micro System Cartridge
WSS1	Wavestream System 1
WS-C1	Wavestream System 1 Cartridge
WSS2	Wavestream System 2
WS-C2	Wavestream System 2 Cartridge
WSS3	Wavestream System 3
WS-C3	Wavestream System 3 Cartridge

Effective prevention of oily bilge water and microplastics discharge. The Wavestream cartridge has a unique filter media that removes the smallest trace of oil with a high oil holding capacity, it also stops the discharge of plastics often found in bilge water.

Help to protect our oceans, seas and waterways.

Features & Information - [www.waveinternational.co.uk](http://www.waveinternational.co.uk)

- Wavestream is used by all sizes and types of craft, available in 4 sizes. There are also multiple cartridge and Stainless Steel systems.
- The Wavestream filter is simply installed in the system after the bilge pump ensuring only clean, oil and plastic free bilge water is discharged overboard.
- Cartridge replacement should be made part of a regular maintenance schedule and changed at least every year.
- Recommended bilge pump head of 4 metres all systems.
- Lloyds Register of Shipping Type Approved.

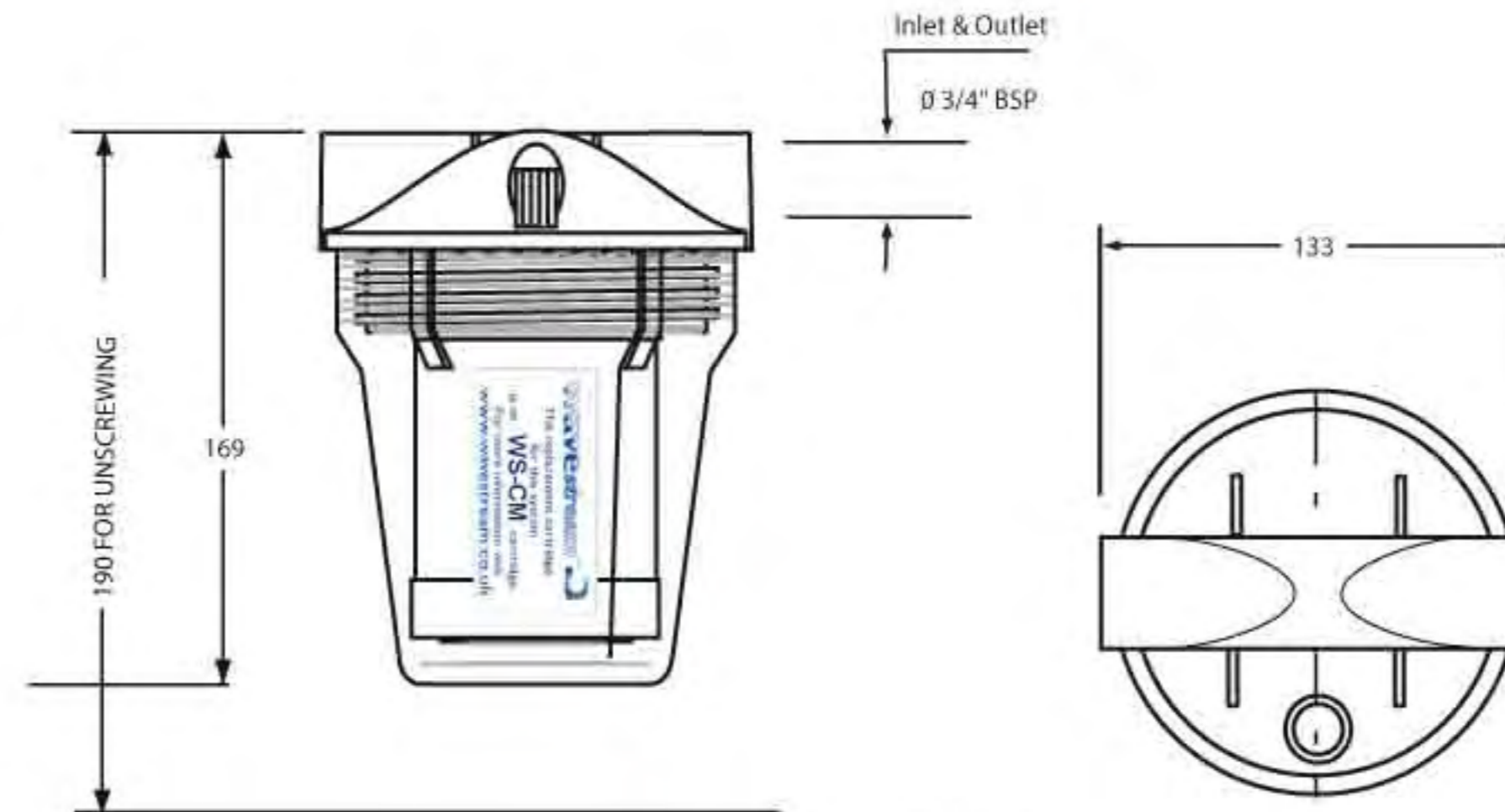


# Bilge Filter Systems - Wavestream

Wavestream Micro System

WMS

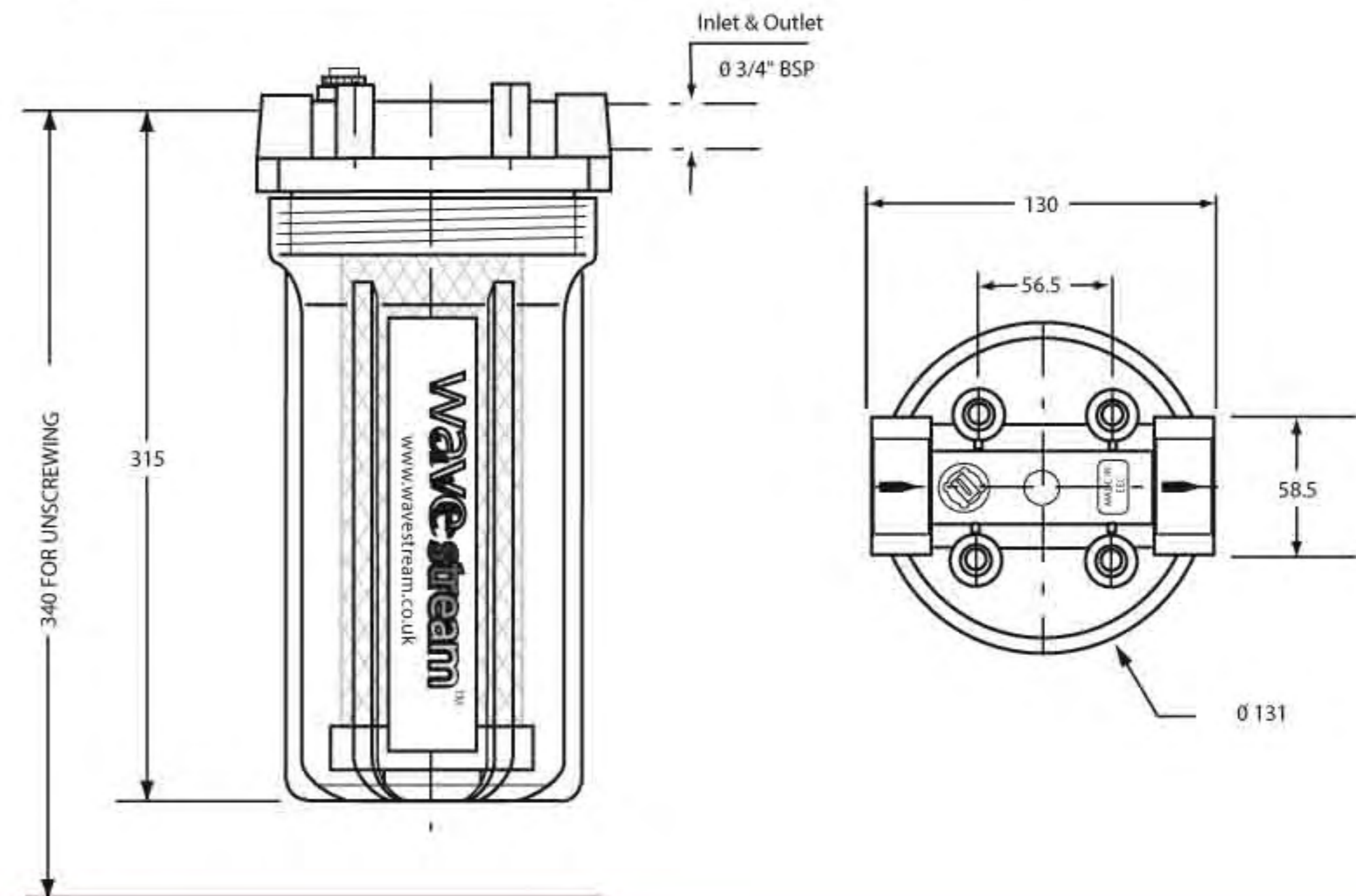
Flow Rate	1 - 40 Litres per minute
Maximum Pressure	8 bar
Maximum Temperature	40 deg. C.
Minimum Temperature	1 deg. C
Connection	3/4" BSP (3/4 NPT available)
Cartridge	WC-CM



Wavestream System 1

WSS1

Flow Rate	1 - 40 Litres per minute
Maximum Pressure	6.2 bar
Maximum Temperature	40 deg. C.
Minimum Temperature	1 deg. C
Connection	3/4" BSP
Cartridge	WS-C1

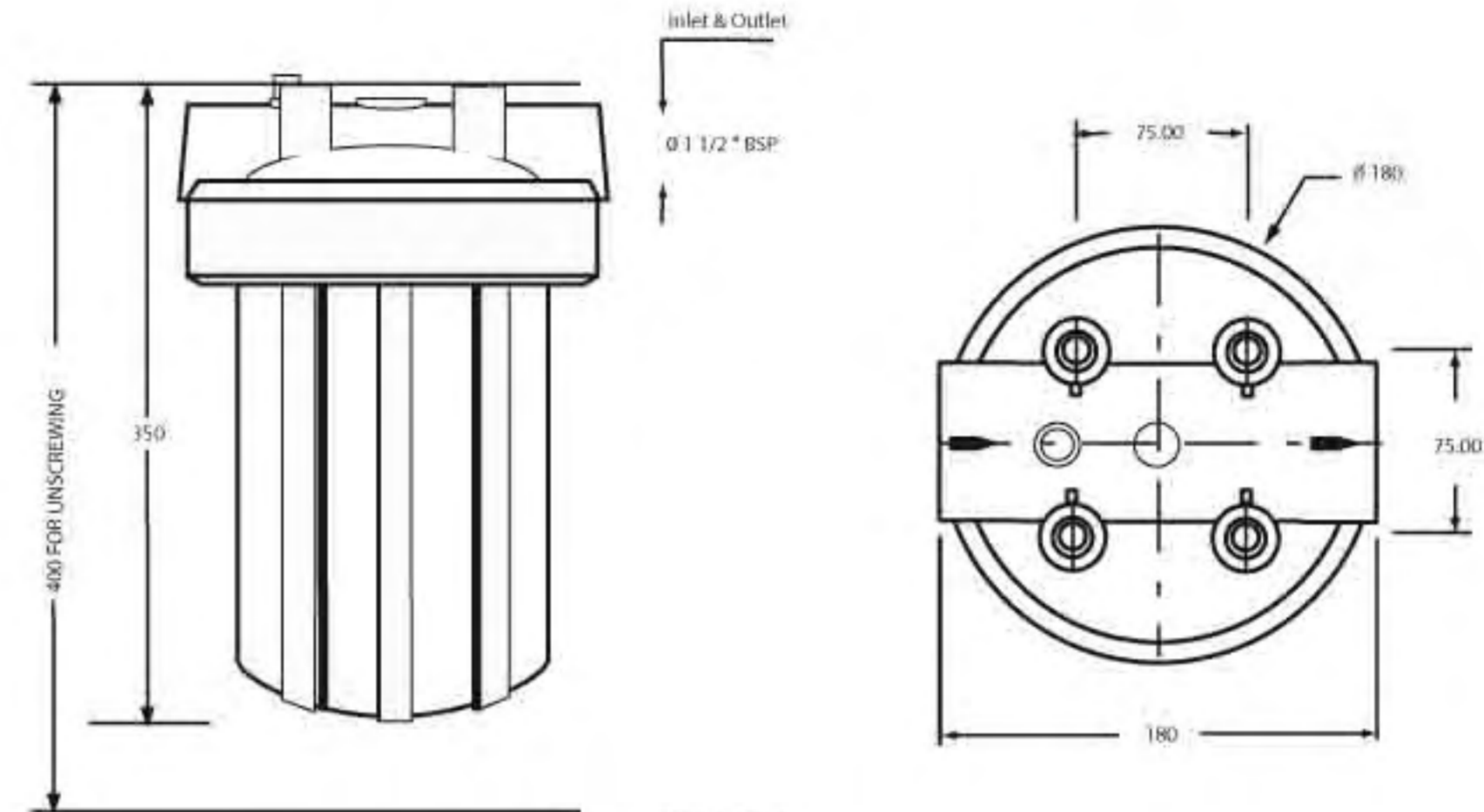




Wavestream System 2

WSS2

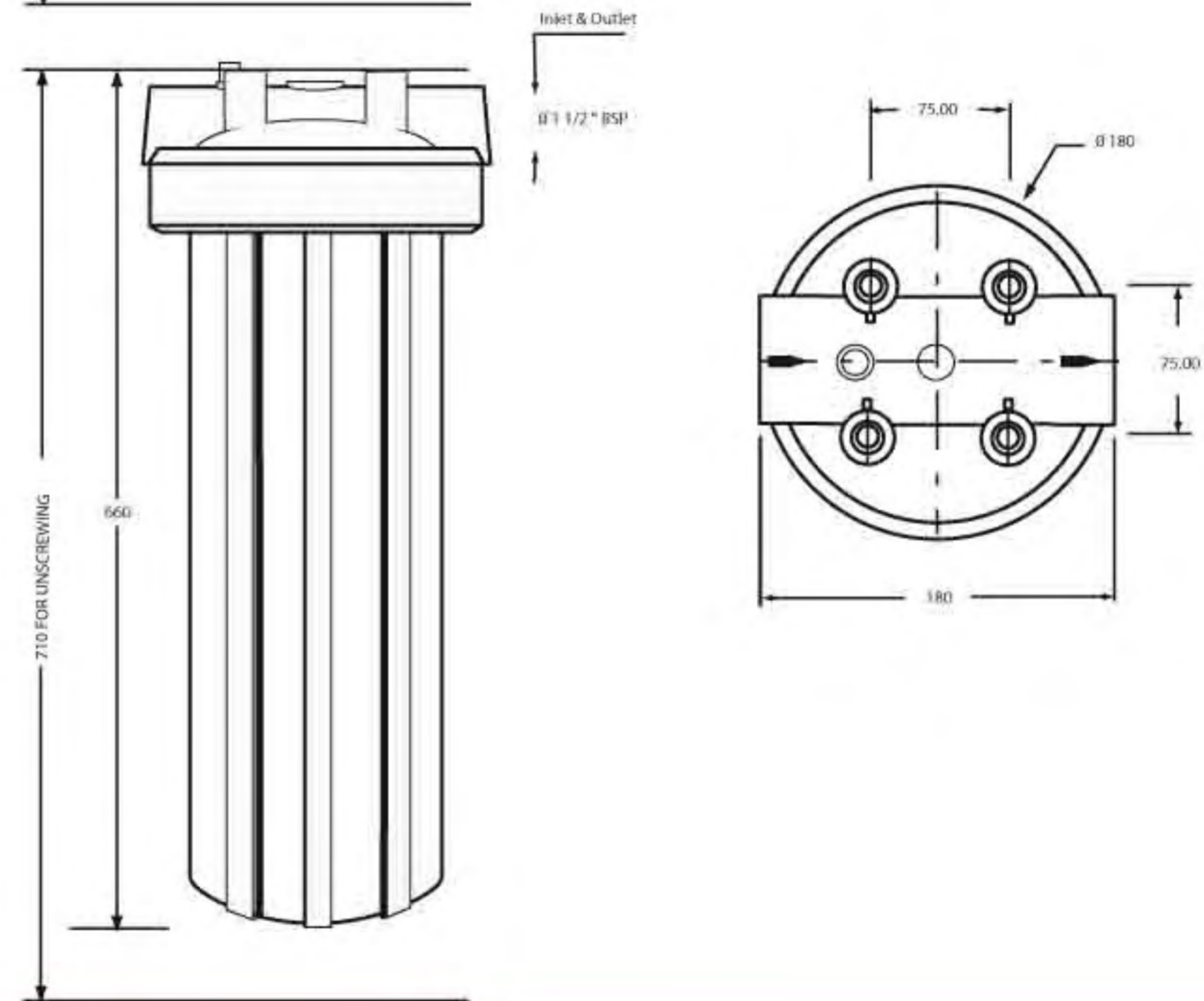
Flow Rate 1 - 265 Litres per minute  
Maximum Pressure 6.8 bar  
Maximum Temperature 37 deg. C.  
Minimum Temperature 1 deg. C  
Connection 1 1/2" BSP  
Cartridge WC-C2



Wavestream System 3

WSS3

Flow Rate 1 - 265 Litres per minute  
Maximum Pressure 6.2 bar  
Maximum Temperature 37 deg. C.  
Minimum Temperature 1 deg. C  
Connection 1 1/2" BSP  
Cartridge WS-C3





WMSFP	Wavestream Micro System + Pump with Whale ORCA Bilge Pump 1300 1300 US GPH (66 L/min) 12 volt.
WS-CM	Wavestream Micro System Cartridge
WSS1FP	Wavestream System 1 + Pump with Whale ORCA Bilge Pump 1300 1300 US GPH (66 L/min) 12 volt.
WS-C1	Wavestream System 1 Cartridge
WSS2FP	Wavestream System 2 + Pump with Whale ORCA Bilge Pump 2000 2000 US GPH (126 L/min) 12 volt.
WS-C2	Wavestream System 2 Cartridge
WSS3FP	Wavestream System 3 + Pump with Whale ORCA Bilge Pump 3000 3000 US GPH (189 L/min) 12 volt.
WS-C3	Wavestream System 3 Cartridge

The premier Wavestream FP system now available. Wavestream filters are supplied with a powerful Whale ORCA bilge pump to ensure the very best clean water bilge filter system.

Features & Information - [www.waveinternational.co.uk](http://www.waveinternational.co.uk)

- Wavestream is used by all sizes and types of craft, available in 4 sizes, the FP systems are matched to 3 models of the Whale ORCA pump.
- All pumps supplied meet the recommended pump head of at 4 metres.
- The Wavestream filter is simply installed after the ORCA bilge pump ensuring only filtered water is discharged overboard.
- The Wavestream cartridge should be replaced as part of a regular maintenance schedule and at least once every season.
- Lloyds Register of Shipping Type Approved.





## Ordering Details **wavestream™**

WMBOSS 24V	Wave MiniBOSS System 0.50 M <sup>3</sup> /hr.
WMBOSS 110 - 240V	Wave MiniBOSS System 0.50 M <sup>3</sup> /hr.
WS-C3	Wavestream System 3 Cartridge
WSWP5P20BB	Pre-filter Cartridge

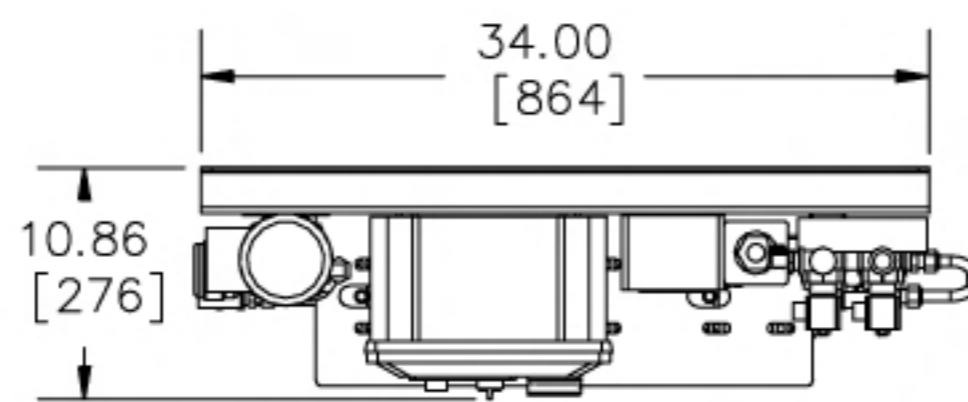
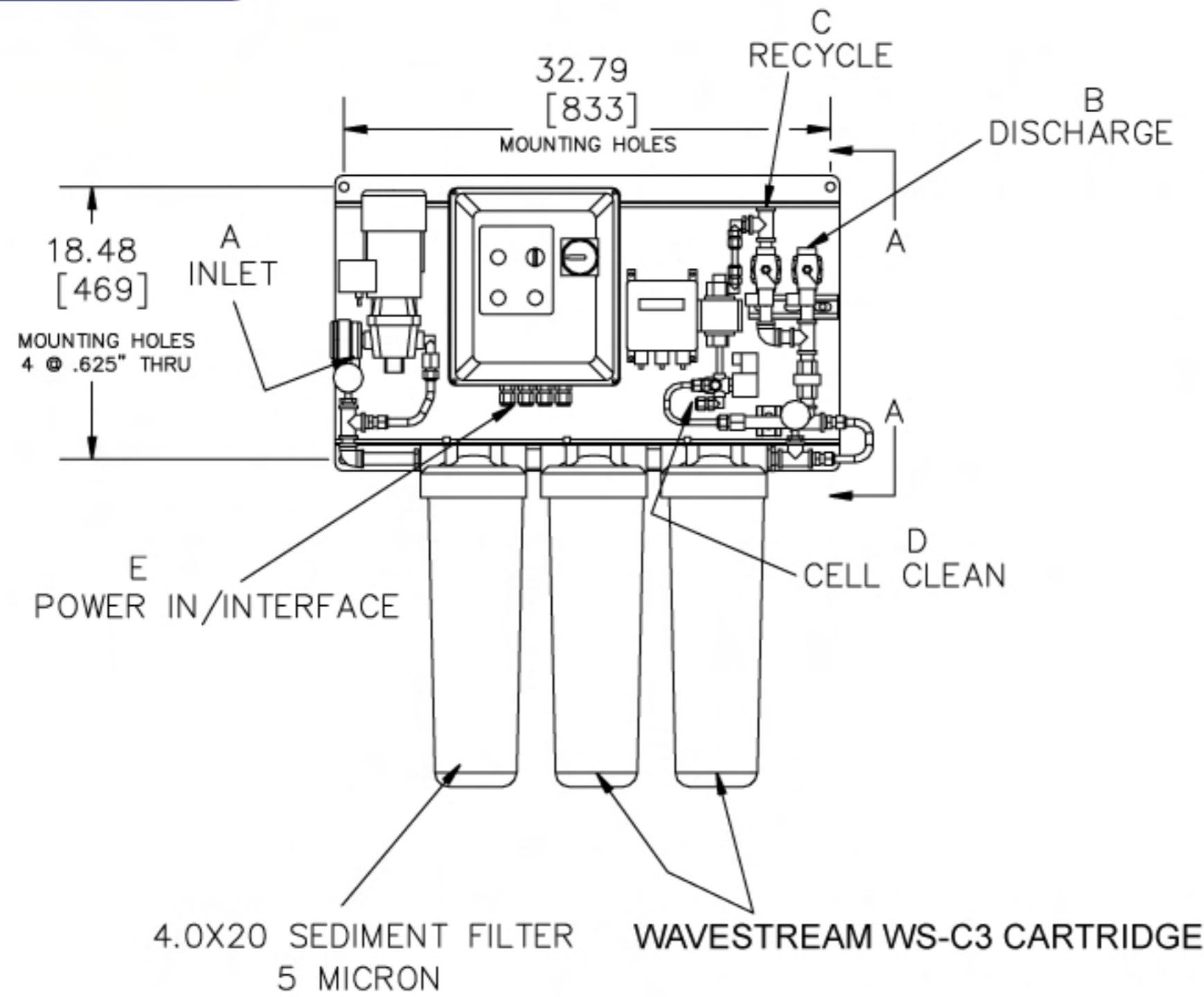
**MEPC 107(49) certified bilge filter system giving effective control and prevention of oily bilge water discharge using Wavestream System 3 filters.**  
Removes microplastics often found in bilge water. Small and lightweight, the only oil water separator that can be mounted on a bulkhead.

- MiniBOSS from with Wavestream oil removing technology keeping bilge water discharge within required 15 or 5 ppm levels for ECO Notation areas.
- IMO certified Oil in Water Monitor with 18 month data logging, 2 models available.
- MED EC Type Approval.
- US Coast Guard Type Approval.
- Wave MiniBOSS 24 - 24v DC maximum flow rate 0.45 M<sup>3</sup>/hr.
- Wave MiniBOSS 110 - 240v AC maximum flow rate 0.45 M<sup>3</sup>/hr.
- Compact, light and easy to maintain with Wavestream high capacity cartridges.

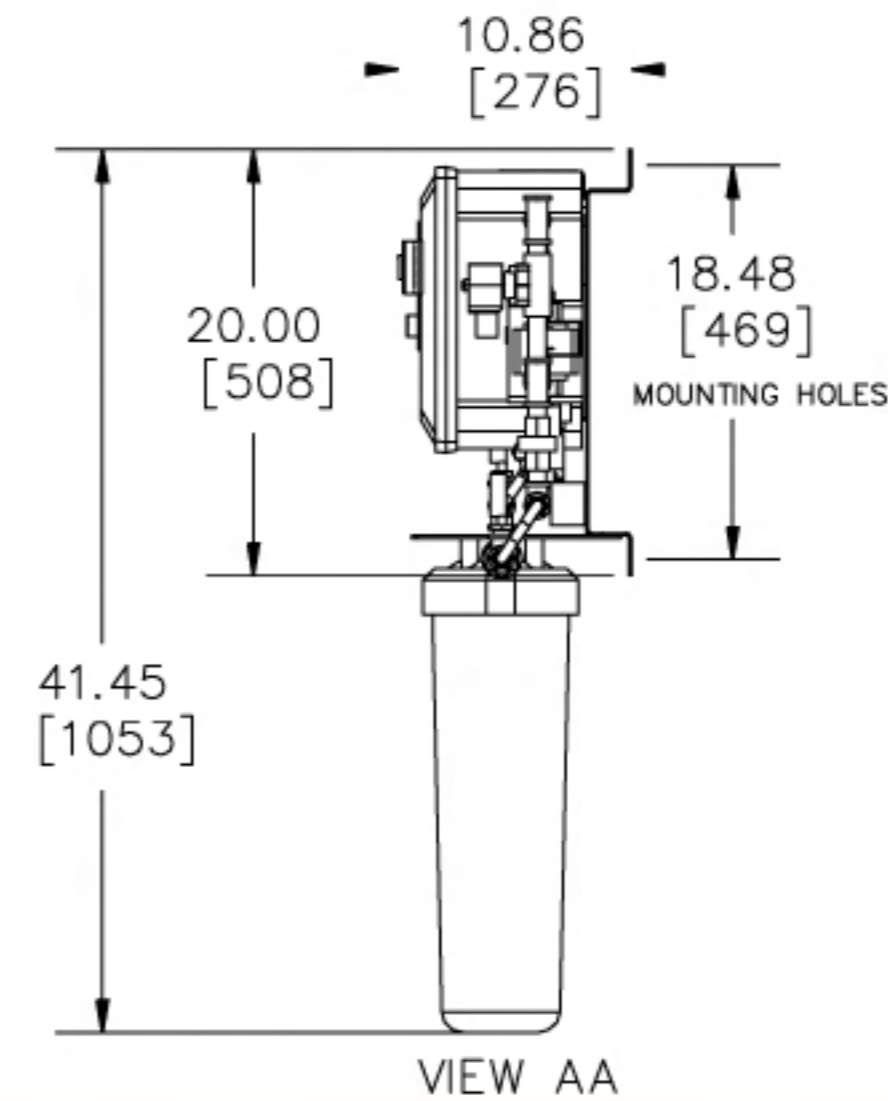
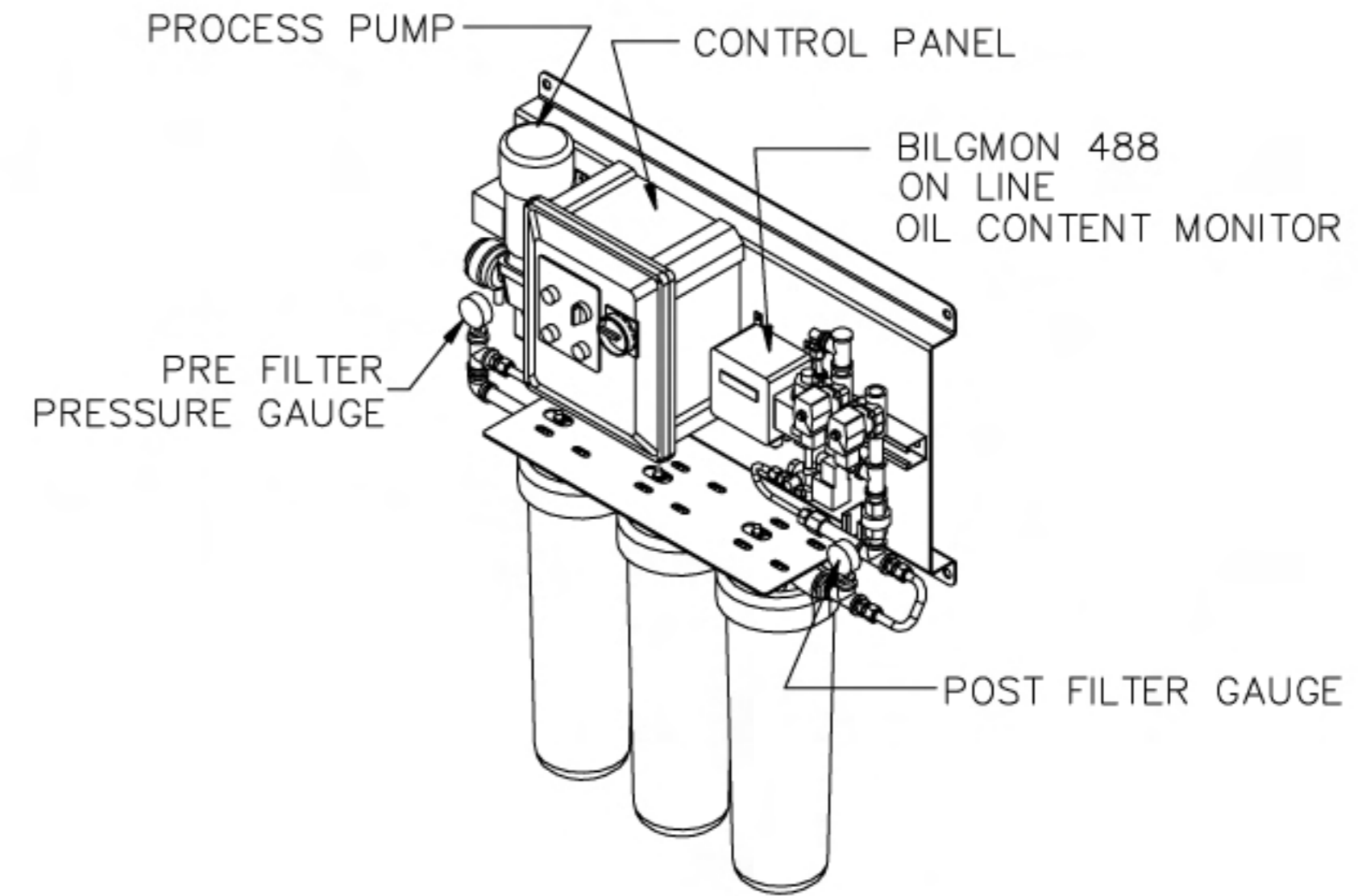


For more information - [info@waveinternational.co.uk](mailto:info@waveinternational.co.uk)

IMO Bilge Filter System - Wave MiniBOSS



PLAN VIEW



**UTILITY REQUIREMENTS**

2KVA POWER SERVICE 120-240VA 1PHASE  
 .5 GPM CLEAN WATER MAINTENANCE CELL  
 (NOT OILY - FRESH OR SEA WATER)

**UNIT CONNECTIONS**

- (A) - OILY WATER INLET 1/2" HOSE BARB
- (B) - DISCHARGE WATER OUT 1/2" NPT
- (C) - RECYCLE WATER OUT 1/2" NPT
- (D) - CLEAN WATER FLUSH 3/8 TUBE PUSH LOCK
- (E) - POWER IN 120/240 VAC @ 2KVA  
 OR 24 VDC - 10 AMPS REQUIRED.

**PAINT SYSTEM:**

BLAST SSPC SP-10 1.0 - 1.5 MIL PROFILE  
 POWDER COAT COLOR WHITE

DRY WEIGHT - 83 LBS/37.6 KG  
 WET WEIGHT - 132 LBS/60 KG  
 WEIGHTS INCLUDE MEDIA



WBS	Wavebrite System 12 / 24v
	Complete with pump, filters, gauges, control sump, fittings and pipe.
WBLite	Wavebrite Lite System 12 / 24v
	Complete as WBS for smaller boats.
WB2010	Wavebrite 2010 System 12 / 24v
	Complete for boats with multiple showers, basins.
WB2020	Wavebrite 2020 System 12 / 24v
	Complete as 2010 for boats with multiple showers, basins but larger capacity.
WB300	Wavebrite 300 System 12 / 24v or AC
	Complete for S/Y and boats requiring larger capacity, processes up to 300 cubic meters.



WBS / WBLite

WB 300

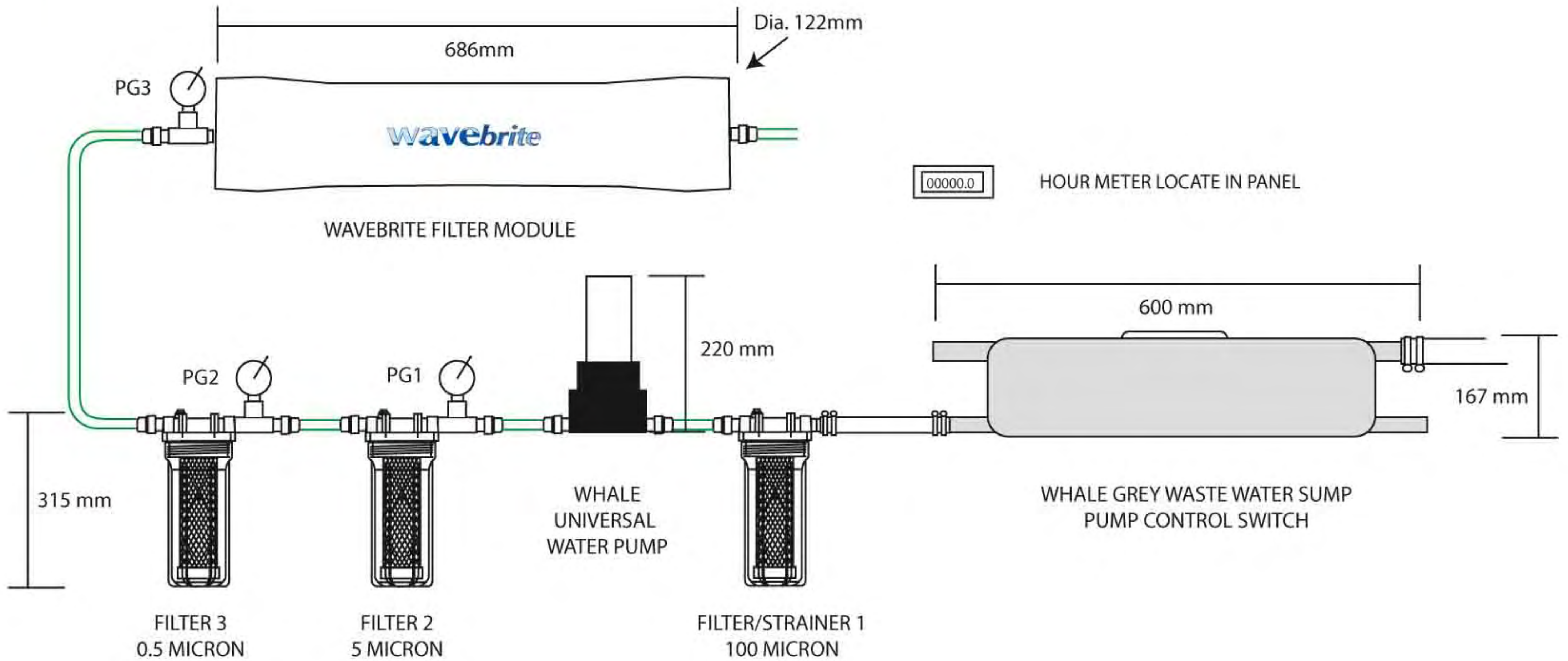
Wavebrite discharge meets EU Council Directive concerning waste water treatment (91/271/EEC).

Features & Information - [www.waveinternational.co.uk](http://www.waveinternational.co.uk)

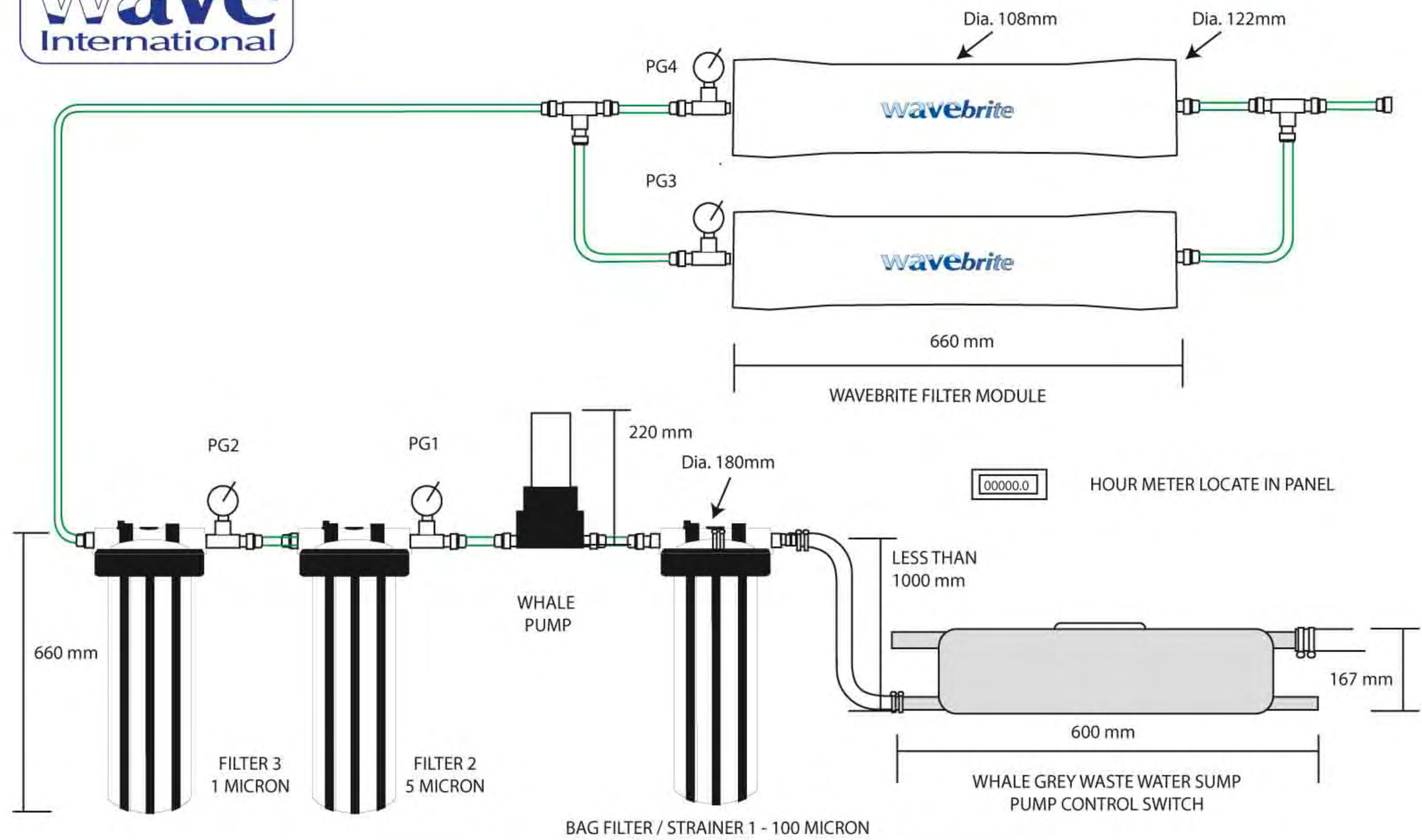
- Wavebrite removes the polluting components in grey / waste water, including micro fibres and plastics. Wavebrite helps to protect and maintain a healthy marine environment.
- There are 4 main components being 2 stage grey water pre-filtration, the main Wavebrite module, pump, pump strainer and control.
- Pump with automatic control, no holding tanks or pump out required.
- Point of filtration pressure gauges and remote hour meter. Wavebrite can be linked in to an advanced integrated monitoring system.
- The components are modular and can be located separately, connected by flexible hose for ease of installation.
- 15 L/min maximum flow rate basic models, option available to increase.

## Grey Water Filter System - Wavebrite

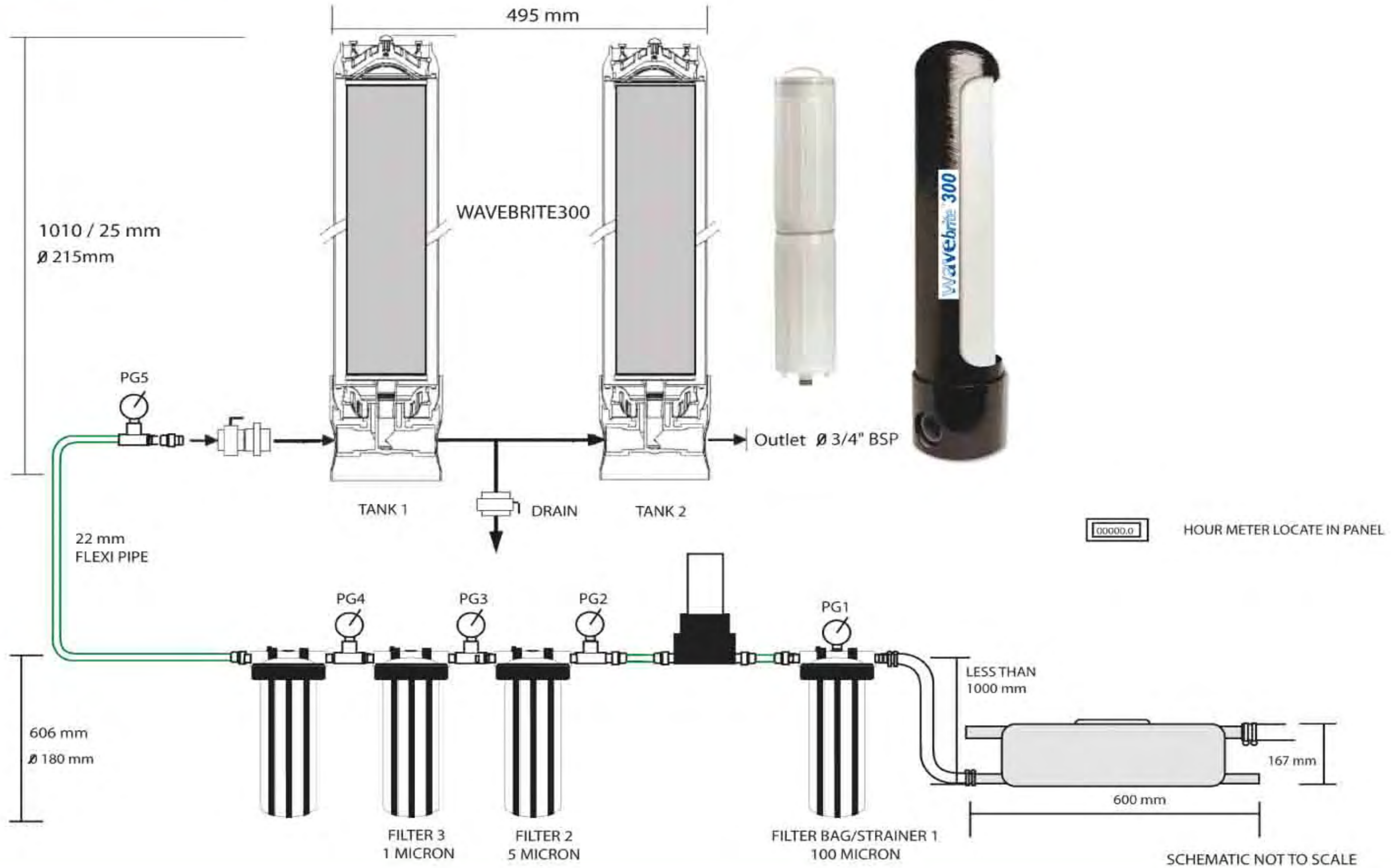




## Grey Water Filter System - Wavebrite



# Grey Water Filter System - Wavebrite



## Grey Water Filter System - Wavebrite



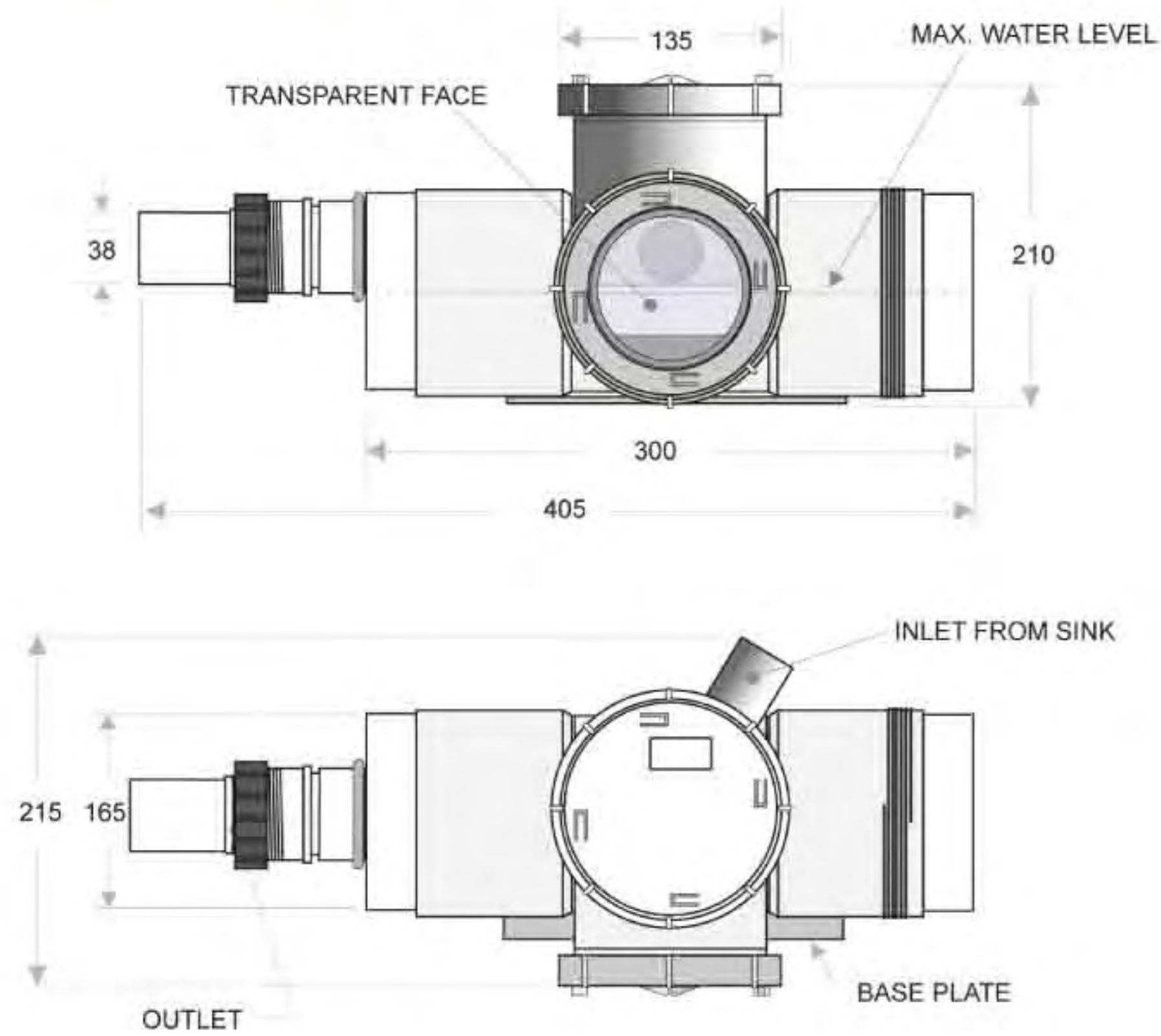
WBGT/1.75	Wavebrite Grease Trap 1.75L
	Grease trap with a 1.75 litre capacity.
WBGT/4.5	Wavebrite Grease Trap 4.50L
	Grease trap with a 4.50 litre capacity.

The Wavebrite Grease Trap is a useful addition to any Wavebrite System when processing galley waste water. It removes food waste, fat and grease which helps prevent solids forming in the system and extends the life of the Wavebrite module and filter cartridges.

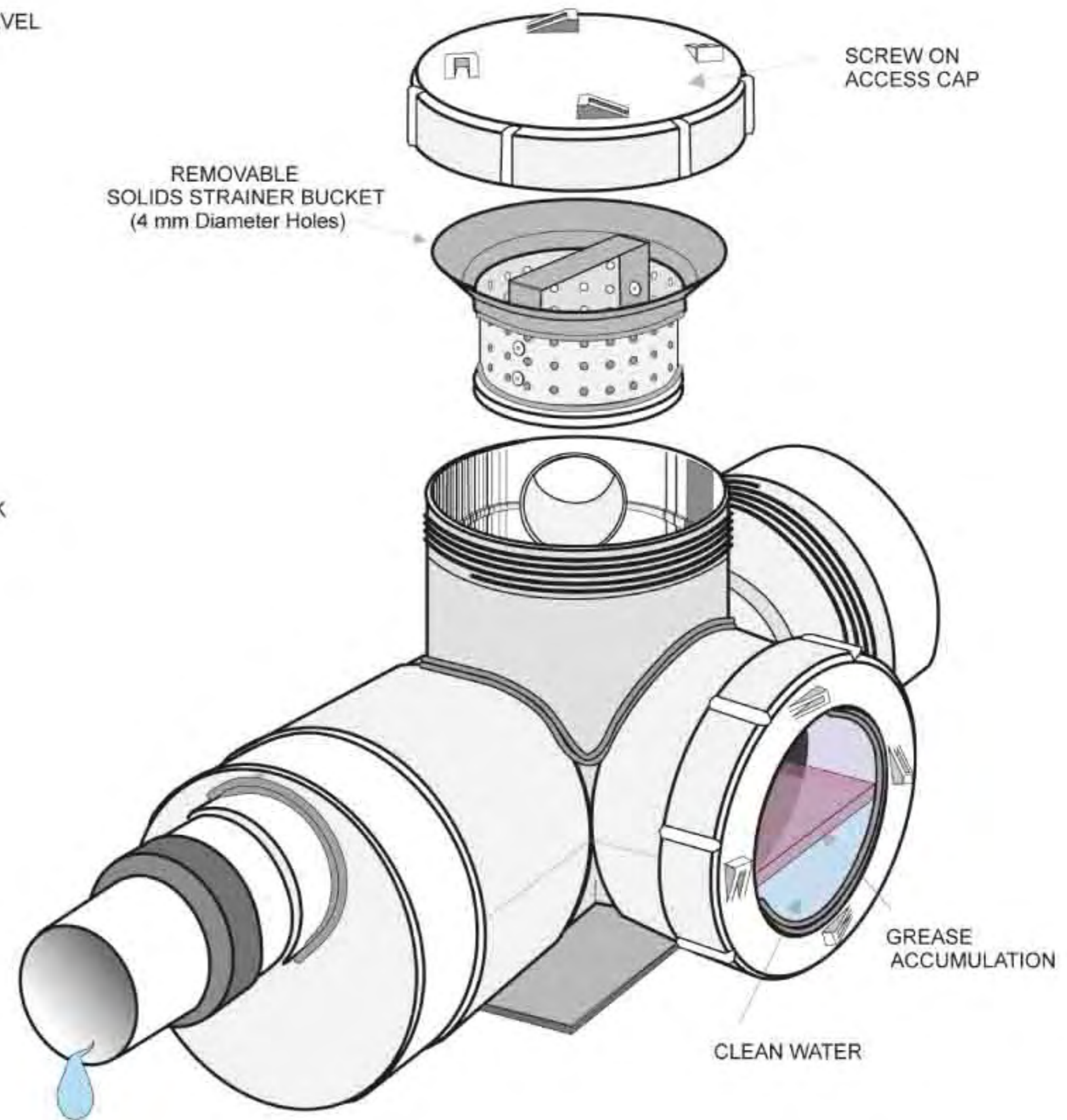
Features & Information - [www.wavebrite.co.uk](http://www.wavebrite.co.uk)



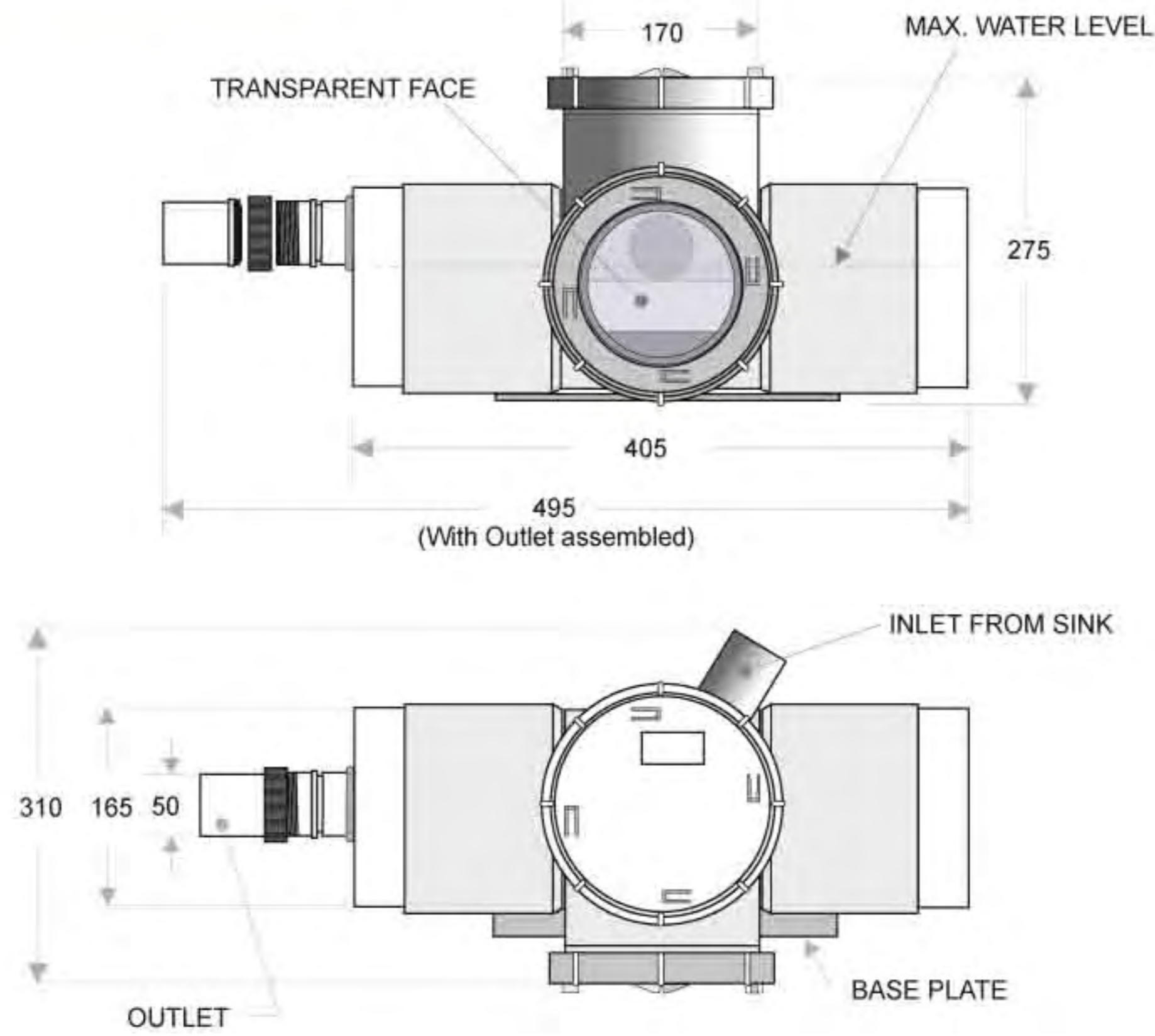
- Simply installed in the drain from the galley sink or dishwasher.
- Removes food debris, fat and grease retaining them in the food basket and grease trap reservoir.
- Extends the life of the Wavebrite module and filter cartridges and improves pump efficiency.
- The fat / grease level is visible through the inspection glass which indicates when the trap needs servicing.
- Two sizes available, 1.75 and 4.50 litre.



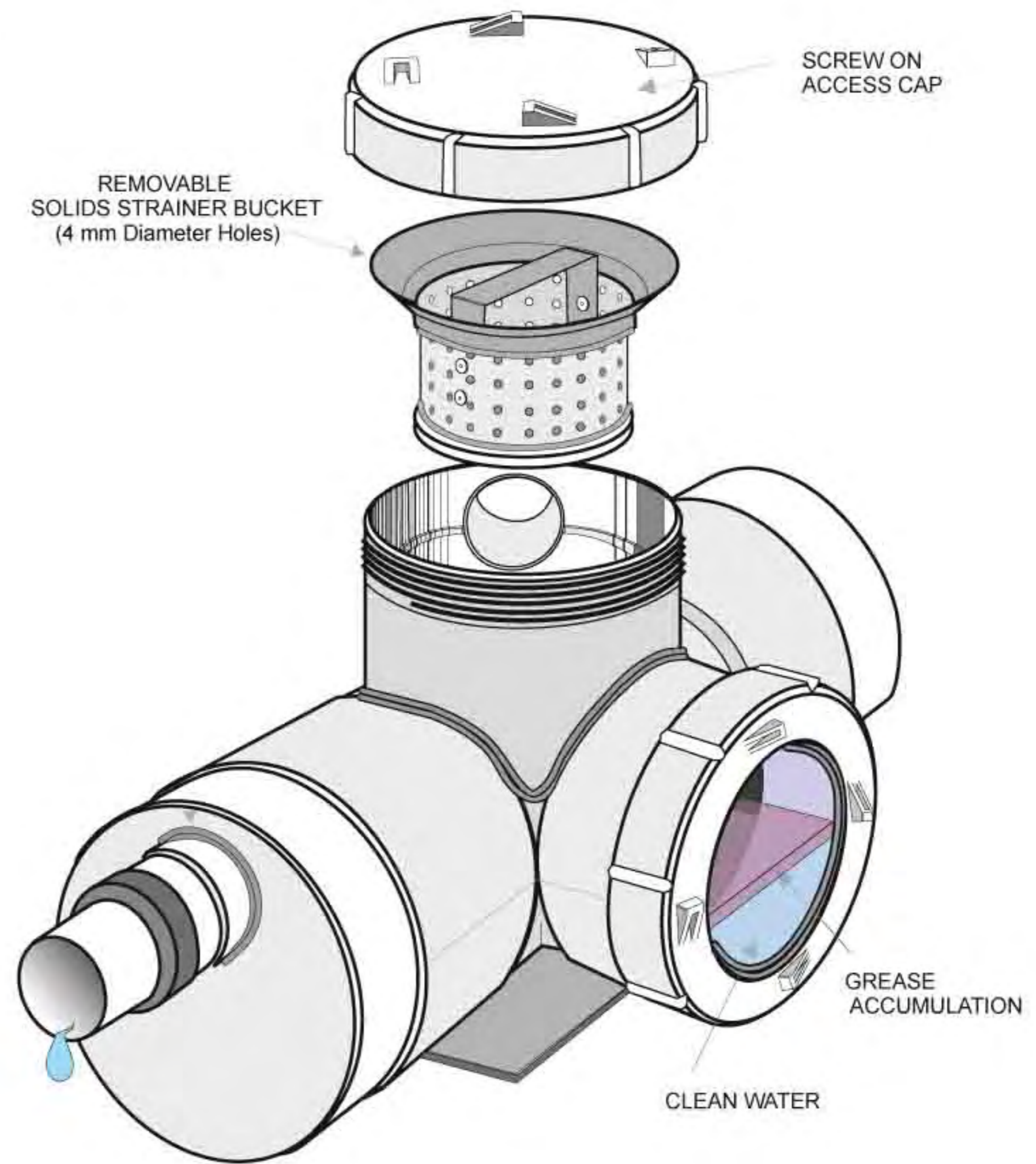
Wavebrite Grease Trap 1.75L



Grey Water Grease Trap - Wavebrite



Wavebrite Grease Trap 4.50L





## Ordering Details

# Flostream

FLOW2	Flostream Cartridge 2
	Replacement cartridge, length plus head 264mm. Capacity 3,800 L.
FLOW4	Flostream Cartridge 4
	Replacement cartridge, length plus head 372mm. Capacity 7,600 L.
FLOWPHD	Flostream Head
	Universal head 10mm quick connect ports. Available with 15mm (FLOWPHD15)

Designed to provide premium quality drinking water, eliminate the use of plastic water bottles.

Also for all food service applications. Available in two sizes giving a practical, cost effective point of use solution for safe, healthy water.

Features & Information - [www.waveinternational.co.uk](http://www.waveinternational.co.uk)

- NSF 42 & 53 certified to meet health and aesthetic standards.
- Chlorine, taste and odour reduction.
- Lime-scale and KDF inhibition, anti bacterial and reduces heavy metals.
- Cyst reduction, removes contaminants that cause health issues.
- Bacteriostatic control to inhibit microbial growth in the water system.
- Cartridge easy connect/release with a quarter turn, replace after 6 months or if has passed stated cartridge capacity in litres.
- Pressure range 0.7 - 8.5 bar. / Temperature range 2 - 38 degrees centigrade. Recommended flow rate 1.90 L/min..
- Simple installation with push fit connections for standard 10mm flexi pipe. Install in vertical position with cartridge hanging below for easy replacement.

## Drinking Water Cartridge and Head - Flostream



FLOHF10

FLOMHF10

# Flostream

## Ordering Details

FLOHF10	Flostream HiFlo10
	Housing with integral bracket, 3/4" BSP, or 15mm push fits (part no. FLOHF10-15), spanner and cartridge. Max. recommended flow rate 10 L/min.
FLOHF10C	Flostream HiFlo10 Cartridge
	Replacement cartridge, capacity 6,000 L.
FLOMHF10	Flostream Micro HiFlo10
	Housing with bracket, 3/4" BSP, or 15mm push fits (part no. FLOMHF10-15), and cartridge. Max. recommended flow rate 10 L/min.
FLOMHF10C	Flostream Micro HiFlo10 Cartridge
	Replacement cartridge, capacity 3,000 L.

The Flostream HiFlo10 and Micro designed for higher flow rate drinking / wash applications to provide premier quality, safe, healthy water. Eliminate the use of plastic water bottles.

## Features & Information - [www.waveinternational.co.uk](http://www.waveinternational.co.uk)

- WRAS and NSF certified components and filter cartridge.
- Chlorine, taste and odour reduction.
- Lime-scale inhibition and reduces heavy metals.
- Bacteriostatic control to inhibit microbial growth in the water system.
- Filter body easily removed, replace cartridge after 6 months or if has passed stated capacity of 6000 litres or FLOHFM10 of 3000 litres.
- Pressure range 0.7 - 8 bar. / Temperature range 4 - 45 degrees centigrade. Recommended max. flow rate 10 L/min..  
Dimensions 337 mm x 146 mm or FLOHFM10 169 mm x 133 mm..
- Simple installation with standard 3/4" BSP or with 15mm push fits for flexi pipe.
- Install in vertical position with cartridge bowl below for easy replacement.

# Drinking Water Filter and Cartridge - Flostream HiFlo10 & Micro





Flostream products for safe, healthy drinking water, eliminate the use of plastic water bottles.

# Flostream

## Dock Water Filter

Ordering Details

FDF1	Flostream Dock Water Filter 1 with supply hose, connections and Flostream Dock Water Cartridge. Max. recommended flow rate 20 L/min.
FDF-C1	Flostream Dock Water Filter Cartridge Replacement cartridge, capacity 20,000 L.
FDF2	Flostream Dock Water Filter 2 with supply hose, connections and Flostream Dock Water Cartridge. Max. recommended flow rate 45 L/min.
FDF-C2	Flostream Dock Water Filter Cartridge Replacement cartridge, capacity 40,000 L.

The Flostream Dock Water Filter is installed in the water supply to pre-filter water when filling onboard tanks. Removing most impurities in 3 stages, further purification at the point of use can then be applied if required.

Features & Information - [www.waveinternational.co.uk](http://www.waveinternational.co.uk)

- Removes particulates, chlorine, improving taste and smell as a pre-filter.
- Stage 1. removes large particles.
- Stage 2. goes on to remove sediments down to 1 micron.
- Stage 3. effectively reduces chlorines, smell and odours, improving taste and colour with bacteriostatic control.
- Maximum pressure 6.20 bar. / Temperature range 1 - 45 degrees centigrade. Recommended max. flow rate 20 L/min., dimensions 315 mm x 130 mm dia..
- Simple installation, hose supplied with 3/4" BSP connections. The filter is installed between the supply tap and the onboard tanks.

## Dock water filter, cartridge and hose - Flostream FDF



Install a new cartridge at the beginning of every season

### Ordering Details

WAM16	Waveair Micro Tank Vent Filter - 16 mm
WAM19	Waveair Micro Tank Vent Filter - 19 mm
WAM25	Waveair Micro Tank Vent Filter - 25 mm
WAMC	Waveair Micro Replacement Filter for 16 & 19 mm
WAMC25	Waveair Micro Replacement Filter for 25 mm
WA16	Waveair Tank Vent Filter - 16 mm
WA19	Waveair Tank Vent Filter - 19 mm
WA25	Waveair Tank Vent Filter - 25 mm
WAC	Waveair Replacement Filter for 16 & 19 mm
WAC25	Waveair Replacement Filter for 25 mm

Eliminates foul smells in and around your boat from holding tank vents. Waveair is simply installed in the vent line after the tank and before the outlet. Removes the organic compounds that cause bad odours.

Features & Information - [www.waveinternational.co.uk](http://www.waveinternational.co.uk)

- Waveair uses a new highly effective filter media, available in 2 sizes, Waveair at 430 mm and Waveair Micro at 200 mm long, both for 16, 19, and 25 mm hose connections.
- Single module supplied with brackets and connections.
- Simply remove the complete filter after a year, retaining bracket and connections, insert replacement and no more bad smells.
- Install in line above the O/B discharge point so no water can enter, do not overfill the tank which may also wet the filter reducing its effectiveness.
- Do not use in conjunction with a sewage treatment system or if significant amounts of chemicals, chlorine or other oxidising agents enter the tank.

## Holding Tank Vent Filter - Waveair



Ordering Details



WSN 8500	Waveshine8500 Wash and Rinse System
	Waveshine 8500 litre capacity, regeneration filter, salt cartridge, hose & hardness kit.
WSN 4250	Waveshine4250 Wash and Rinse System
	Waveshine 4250 litre capacity, regeneration filter, salt cartridge, hose & hardness kit.
WSN-CS1	Waveshine Regenerating Cartridge
WSN-HK	Waveshine Hardness Test Kit

Waveshine is a washdown filter system that removes the minerals from water that cause spotting and smears when washing and rinsing your boat.

2 Models available 8500 or 4250. When used to filter onboard water it removes hardness softening the water for regular use, protecting sink, shower and sanitary fittings.

Not recommended for drinking water as all minerals removed.

Features & Information - [www.waveinternational.co.uk](http://www.waveinternational.co.uk)

- Waveshine uses a highly effective resin media with an 8500 or 4250 litre capacity, depending on water hardness.
- Supplied with a hardness test kit and easily regenerated using the salt filter supplied.
- Replacement salt cartridges available.
- Waveshine can be used free standing on the dock or installed onboard. Saddle clamps work as a stand on the dock or as brackets for internal fixing.
- Maximum performance is ensured due to an internal distribution system.
- Softened water will also improve the effectiveness of soap in wash water and onboard dish and clothes washing machines.

Regular checks with the hardness test kit indicates the need for regeneration.



## Waveshine Wash and Rinse System



Waveshine Clear2000



Waveshine Clear300

Waveshine Clear1000

# Waveshine Clear

## Ordering Details

WSNC300	Waveshine Clear300 Wash & Rinse Filter includes cartridge and bracket.
WSNC-C300	Waveshine Clear300 Cartridge
WSNC1000	Waveshine Clear1000 Wash & Rinse Filter includes cartridge, bracket and spanner.
WSNC-C1000	Waveshine Clear1000 Cartridge
WSNC2000	Waveshine Clear2000 Wash & Rinse Filter includes cartridge, bracket and spanner.
WSNC-C2000	Waveshine Clear2000 Cartridge

The Waveshine Clear range of washdown filter systems remove the minerals from water that cause spotting and smears when washing and rinsing your boat, leaving a clear, shiny finish.

3 Models available 300, 1000 & 2000 reflecting the approximate capacity of the cartridge in the filter in litres.

A replaceable cartridge in each filter system removes and retains the minerals from the rinse water.

Features & Information - [www.waveinternational.co.uk](http://www.waveinternational.co.uk)

- Waveshine Clear systems use a highly effective resin media with an approximate 300, 1000 or 2000 litre capacity, depending on model and water hardness.
- The cartridges are non-regenerable and replacements are available.
- Waveshine Clear can be used free standing on the dock or installed onboard. Stainless steel brackets are supplied for internal fixing.
- Maximum performance is ensured with no need for wipe or leather off after rinsing reducing the overall time for washdown leaving a clear, shiny finish to windows, cabin tops and topsides.

Not to be used for drinking water as all minerals removed.

# Waveshine Clear Wash and Rinse System



## Ordering Details

# PROstream

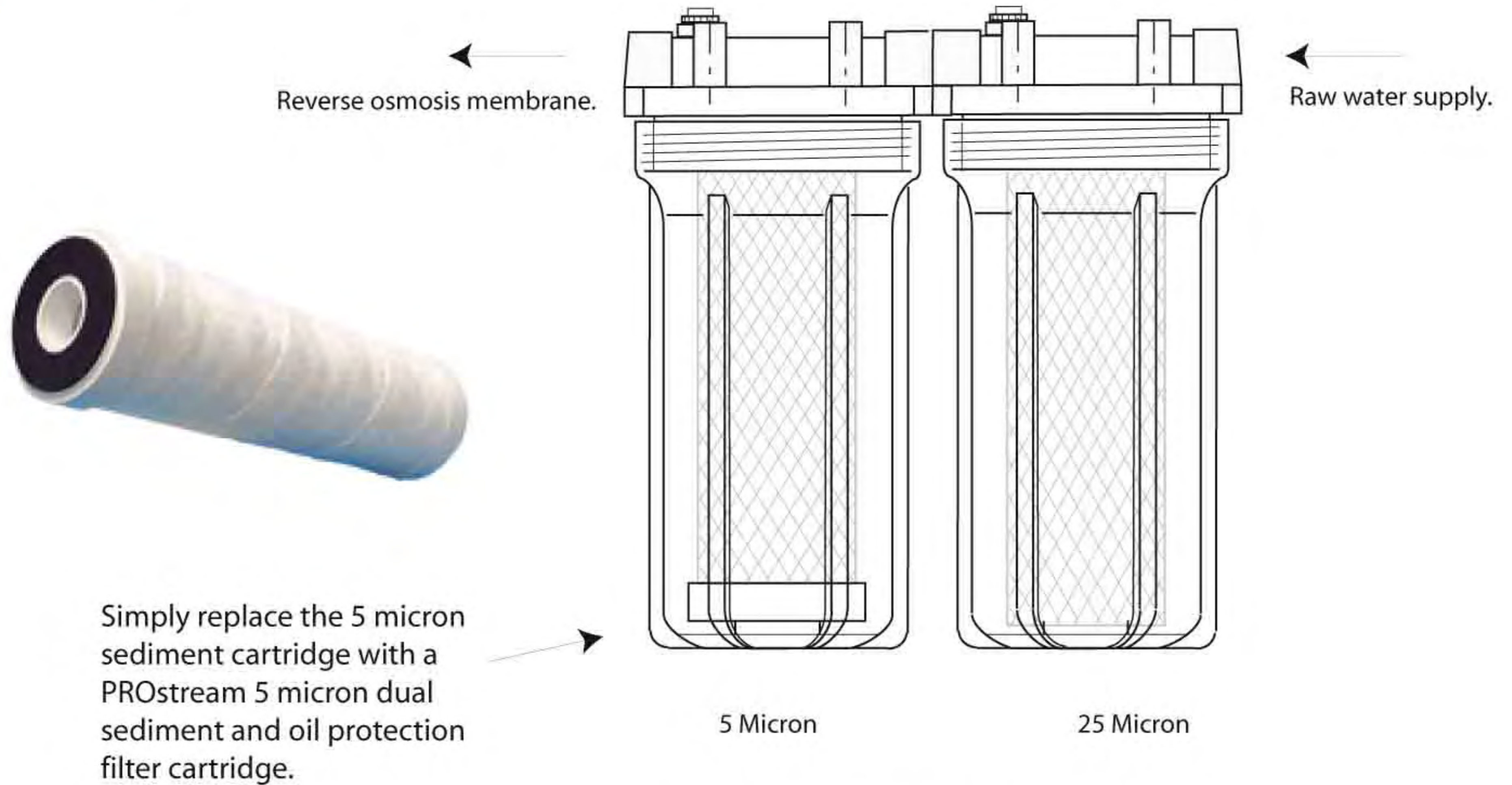
PRO-C1	PROstream Wound 5 micron 10"
	Wound outer oil removal cartridge fits standard 10" housings.
PRO-C1/20	PROstream Wound 5 micron 20"
	Wound outer oil removal cartridge fits standard 20" housings.
PRO-C2	PROstream Wound 5 micron 10BB
	Wound outer oil removal cartridge fits large diameter Big Blue 10" housings.
PRO-C2/20	PROstream Wound 5 micron 20BB
	Wound outer oil removal cartridge fits large diameter Big Blue 20" housings.

Unique pre-RO watermaker protection removes both sediment and trace oils. Combined string wound or melt blown cartridge with Wavestream oil removal technology. The PROstream cartridge replaces existing pre filter and offers additional oil protection phase.

Features & Information - [www.waveinternational.co.uk](http://www.waveinternational.co.uk)

- Protects the main RO by efficient oil removal with high dirt holding properties.
- Wide range of sizes, micron ratings and end cap configurations available.
- Consistent filtration over the life of the cartridge.
- Marine, domestic and industrial applications.

## Watermaker Duo Cartridge - PROstream



Typical watermaker pre-filters arrangement.

## Watermaker Duo Cartridge - PROstream